



State of Ohio
Weatherization Program
Standards

Section **HIGH-RISE/CENTRALLY HEATED
MULTI-FAMILY INSTALLATION**

Subject
Illustrations

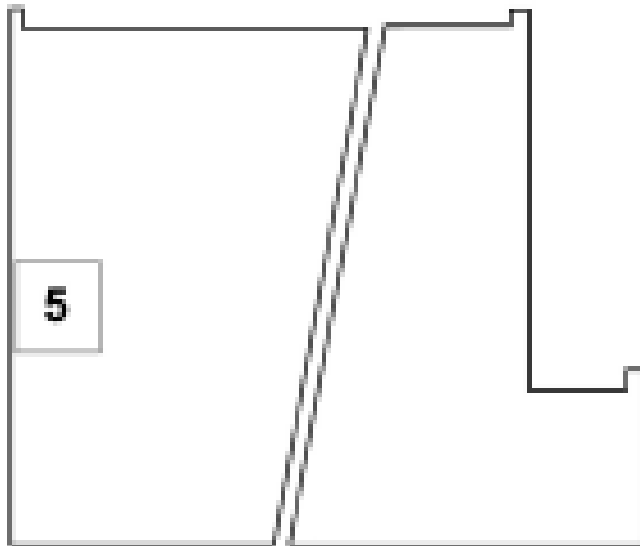


Illustration C (Commercial)

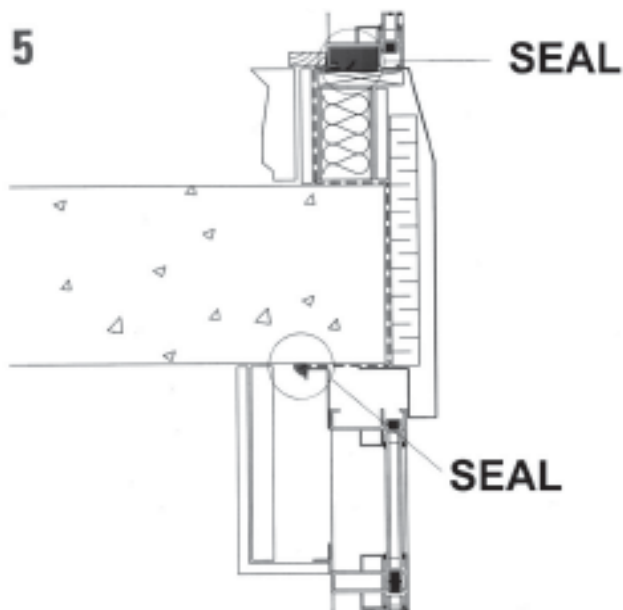


Illustration C-5

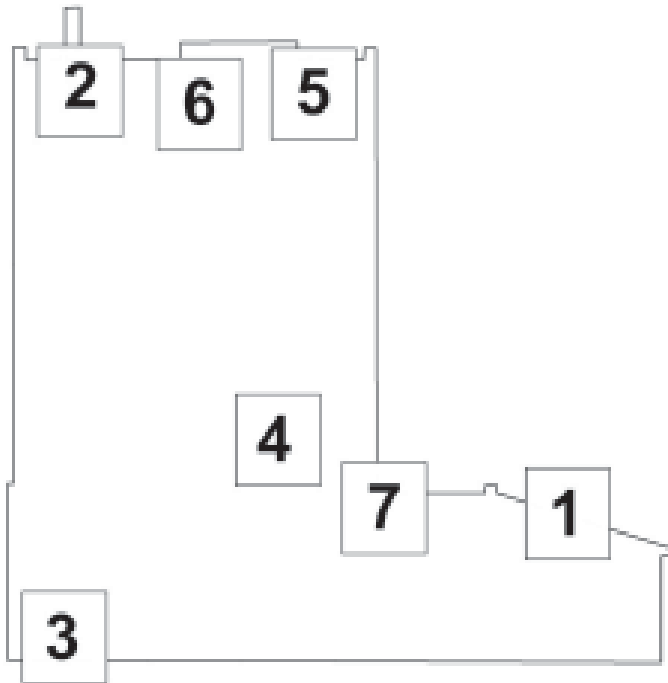
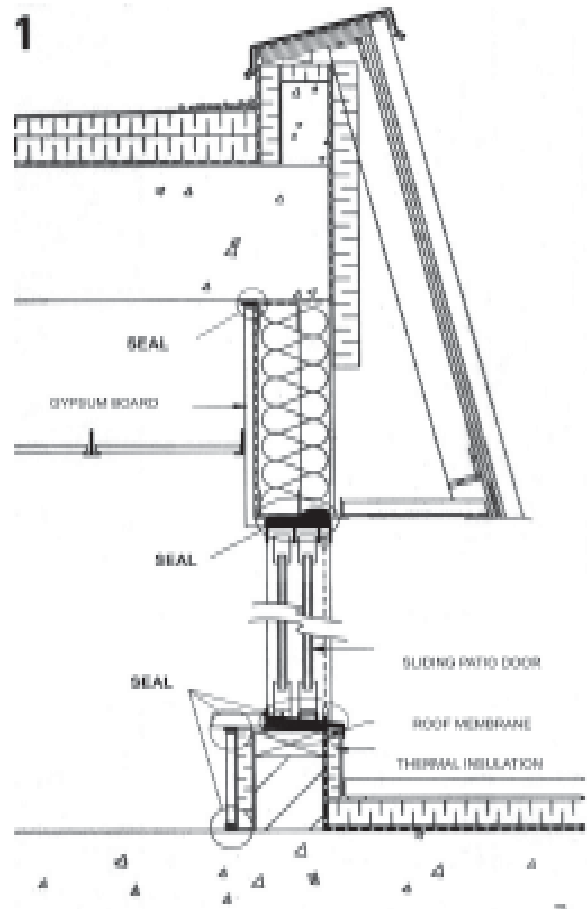


Illustration HR (High Rise)

Illustration HR-1



2

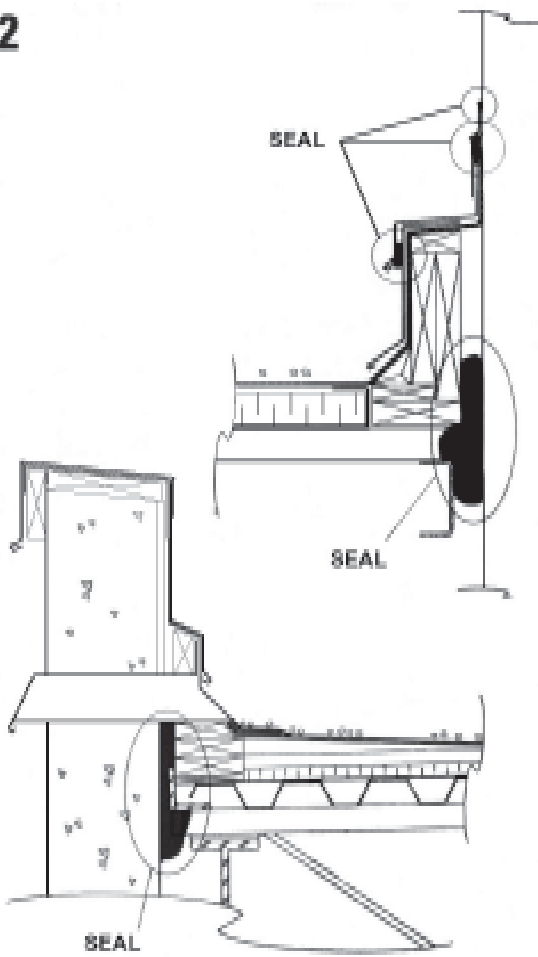


Illustration HR-2

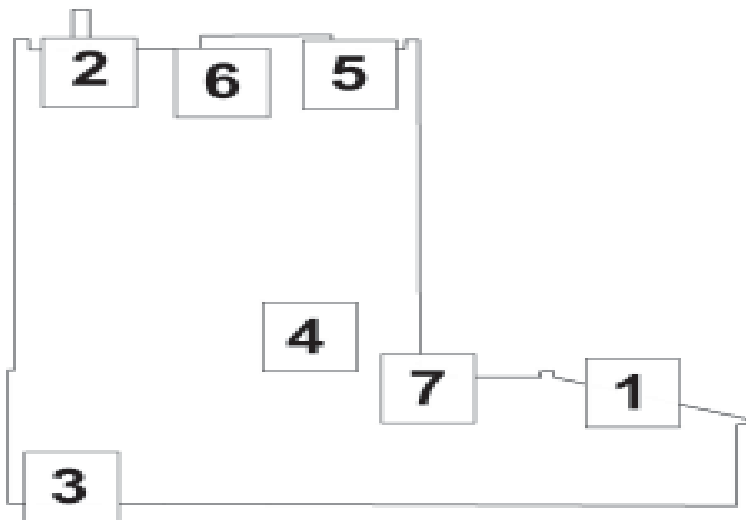


Illustration HR-3

4

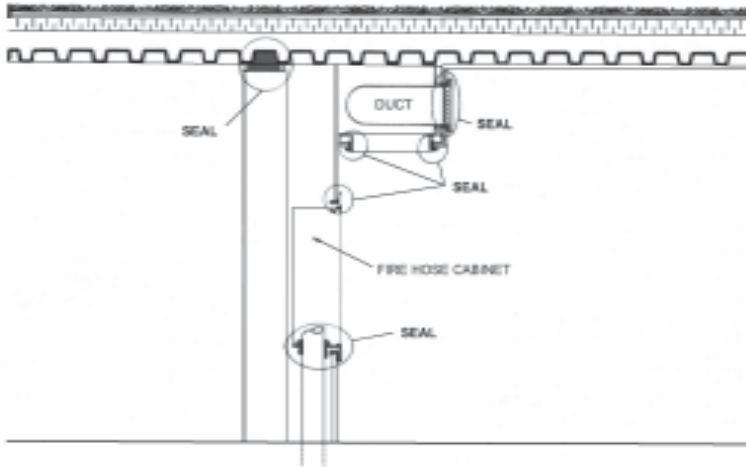
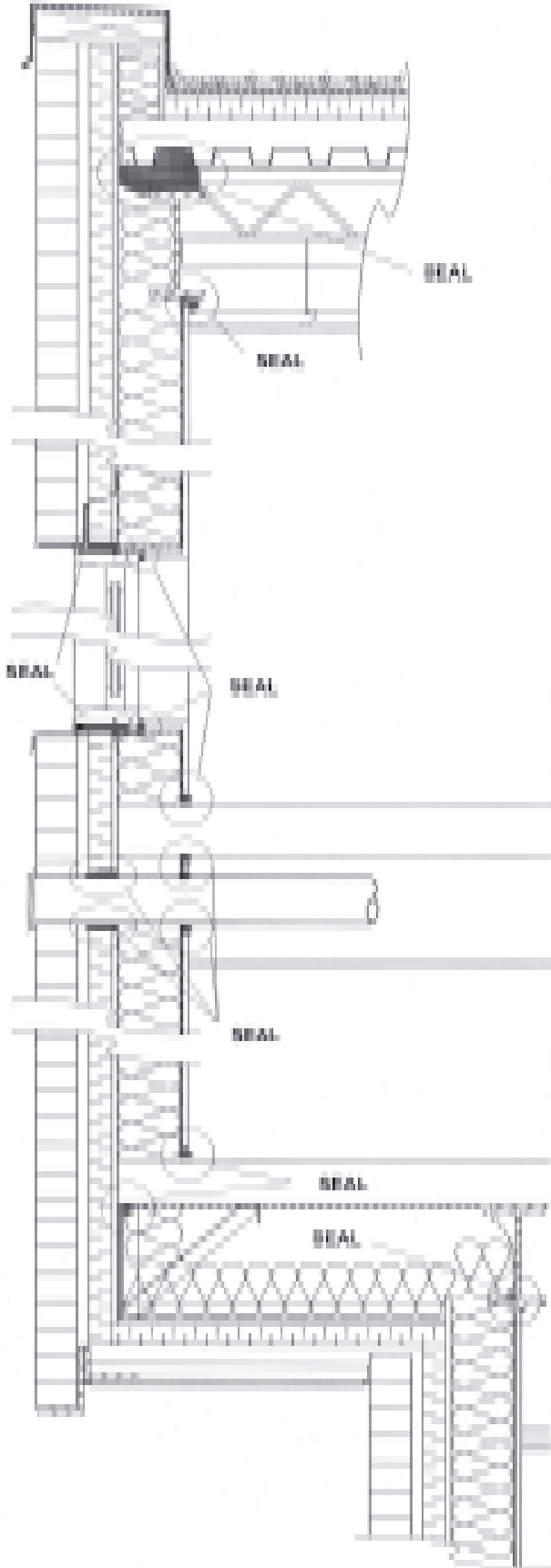


Illustration HR-4

6

Illustration HR-5



6

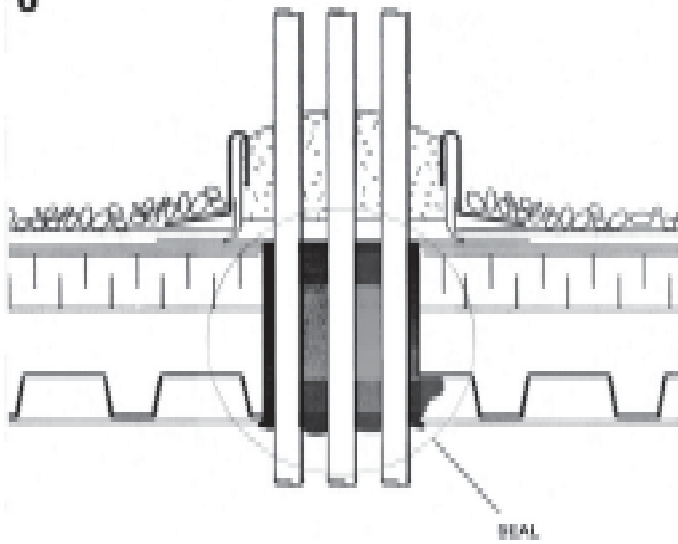
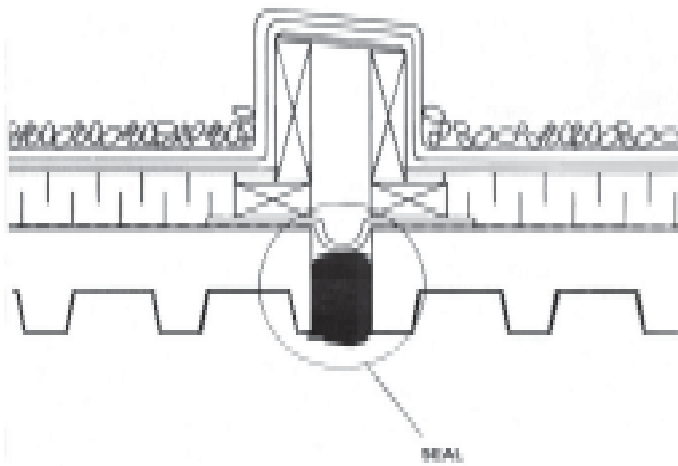
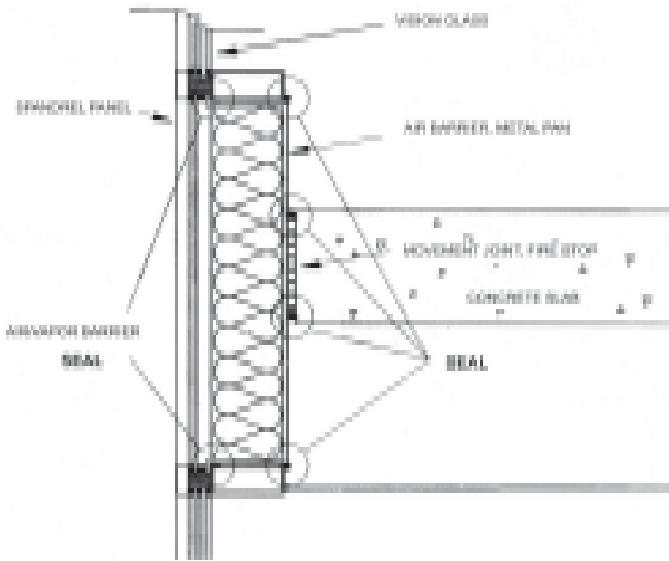
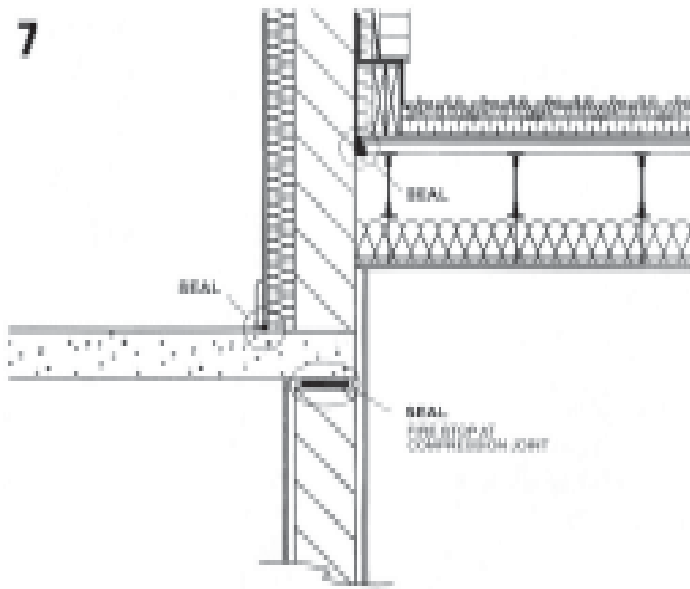


Illustration HR-6



7

Illustration HR -7



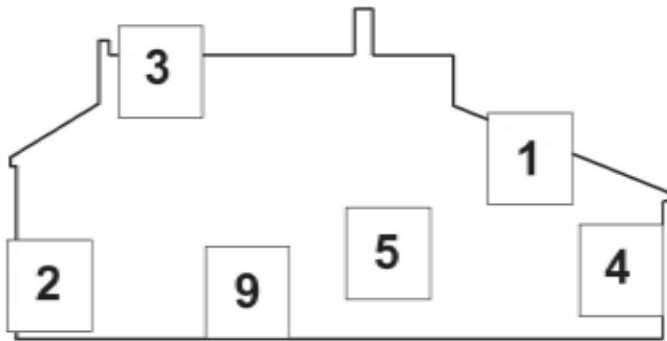


Illustration I (Industrial)

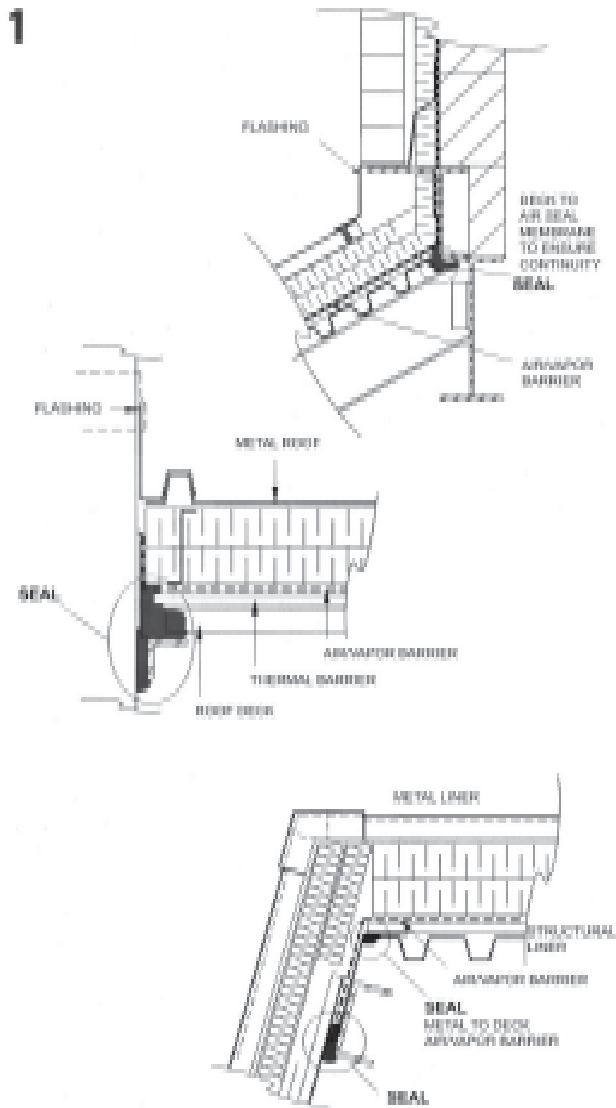


Illustration I -1

2

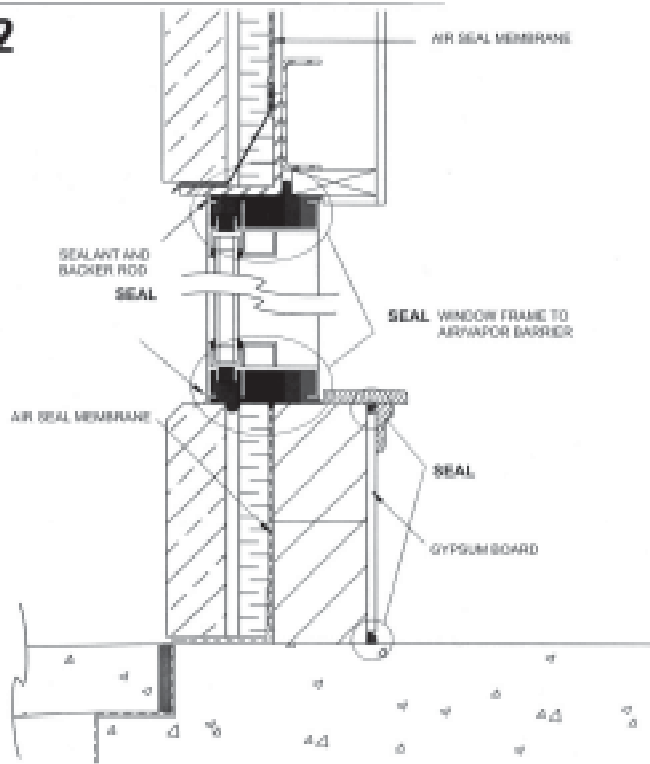


Illustration I - 2

3

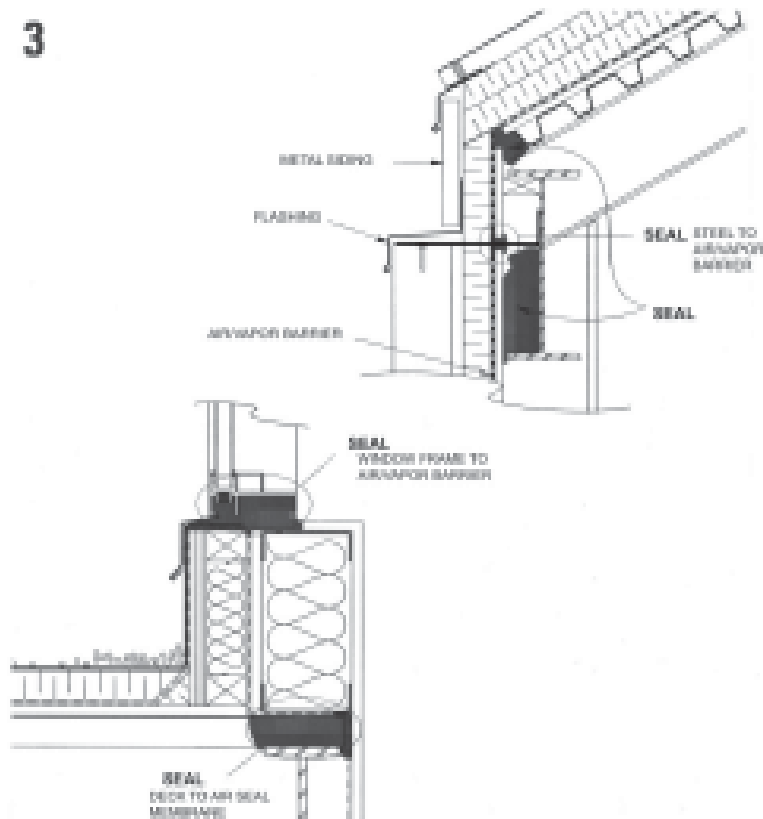


Illustration I - 3

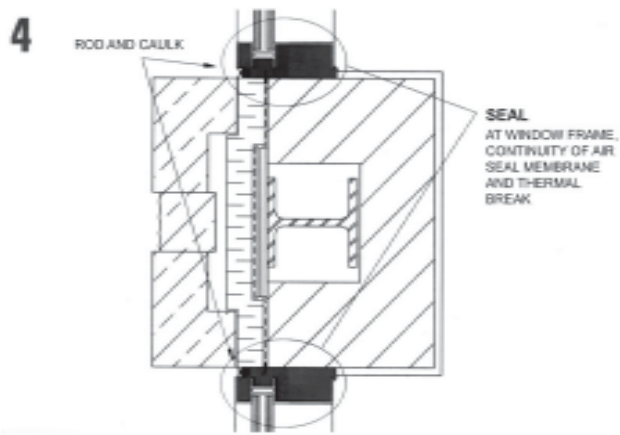


Illustration I - 4

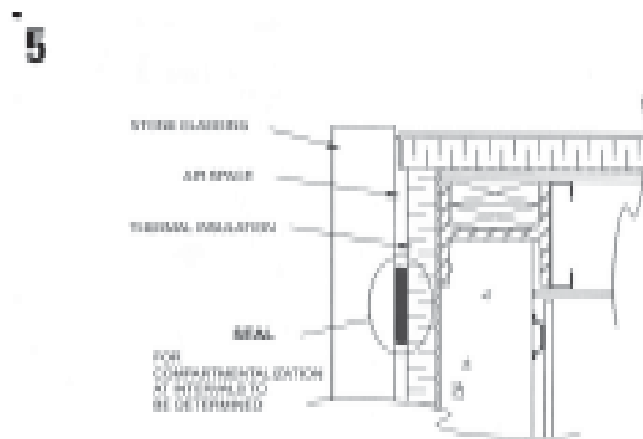
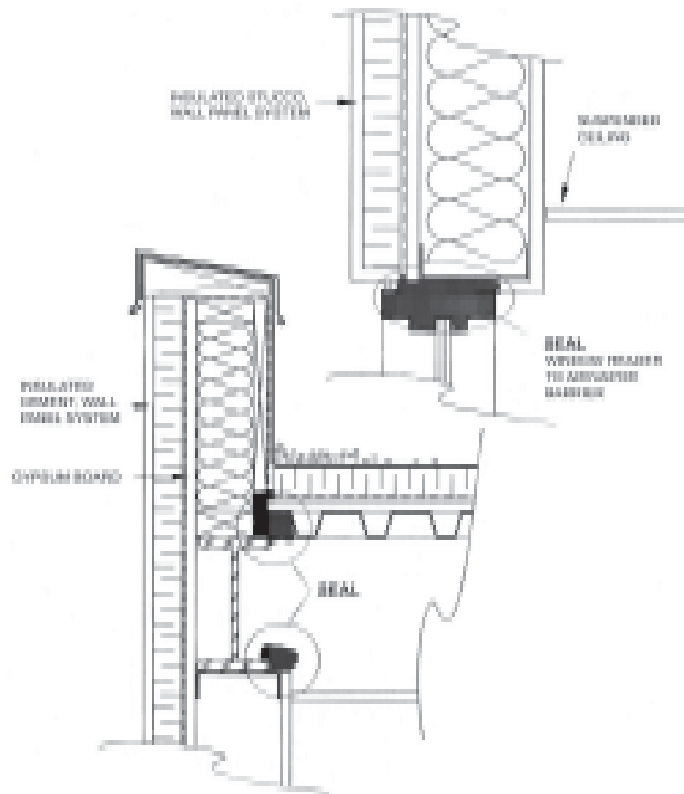
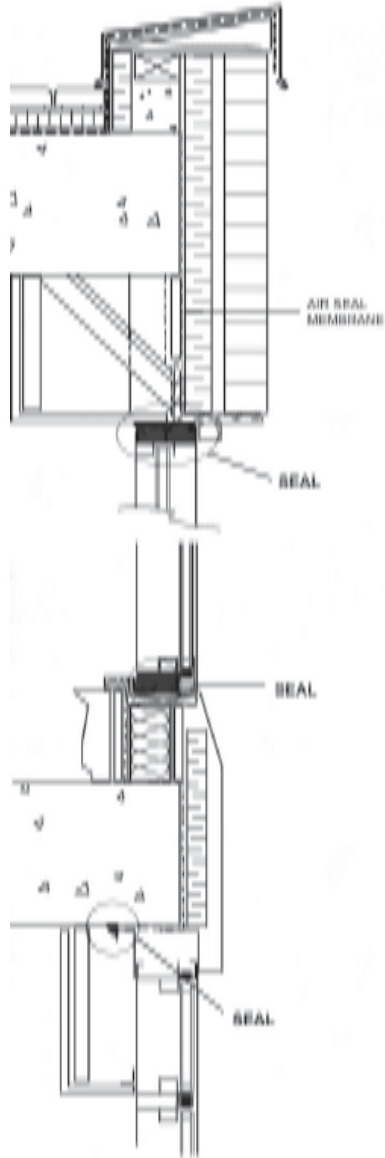


Illustration I - 5



9

Illustration I - 9



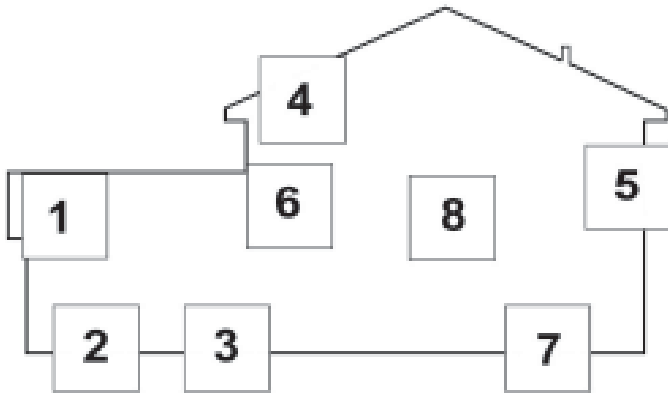


Illustration LR (Low Rise)

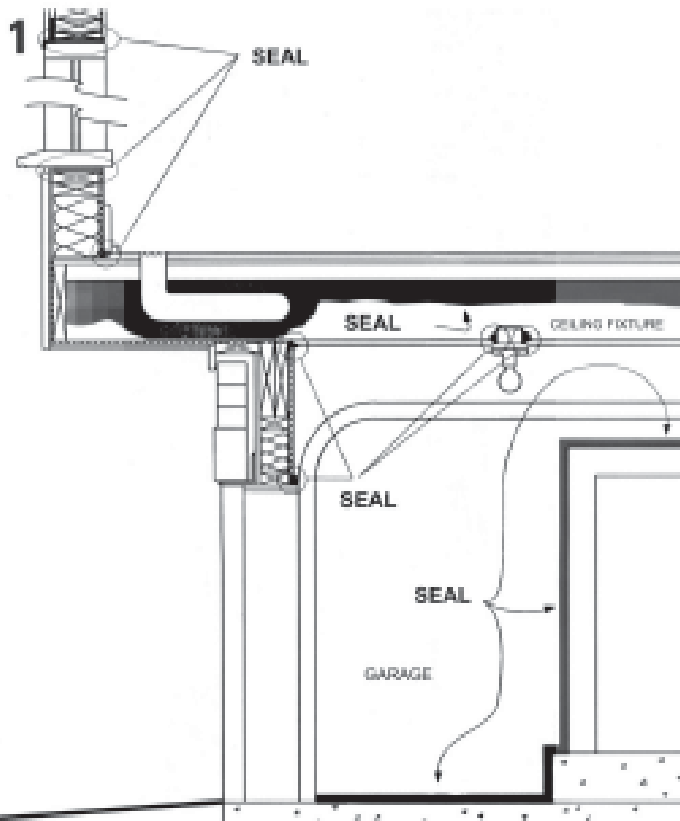


Illustration LR - 1

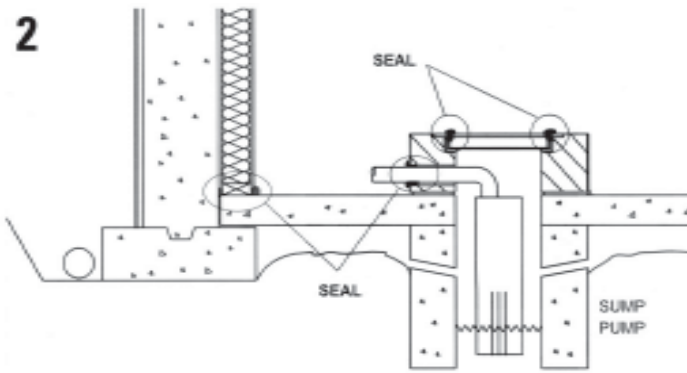


Illustration LR - 2

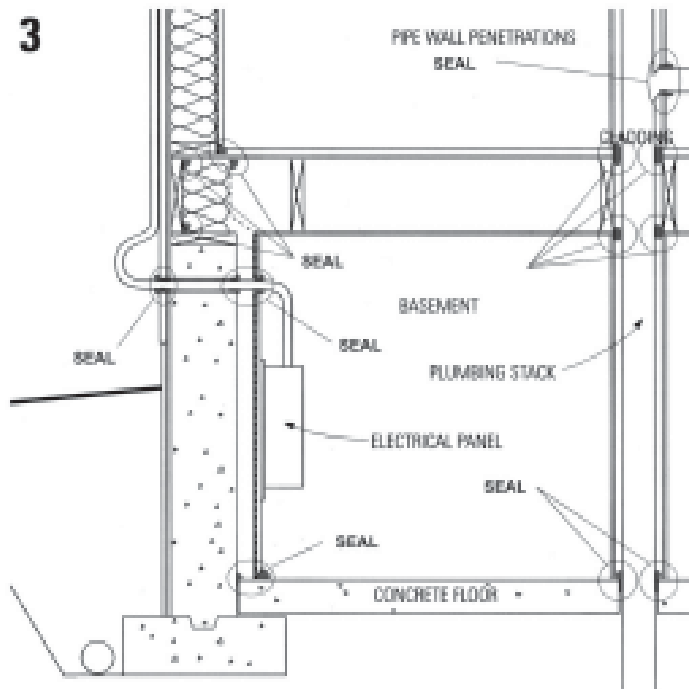


Illustration LR - 3

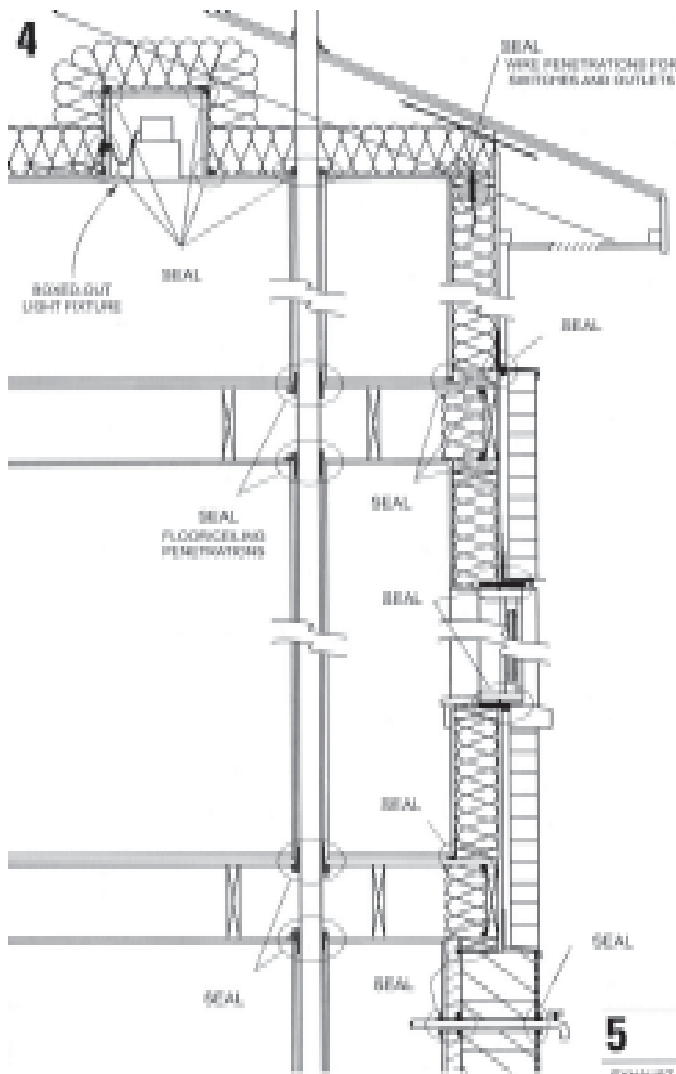
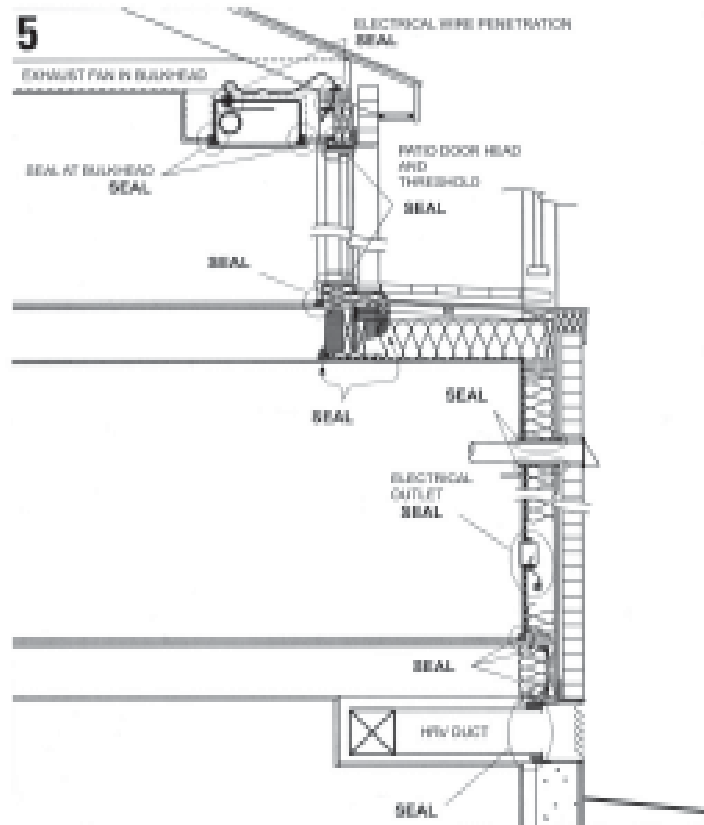


Illustration LR - 4

Illustration LR - 5



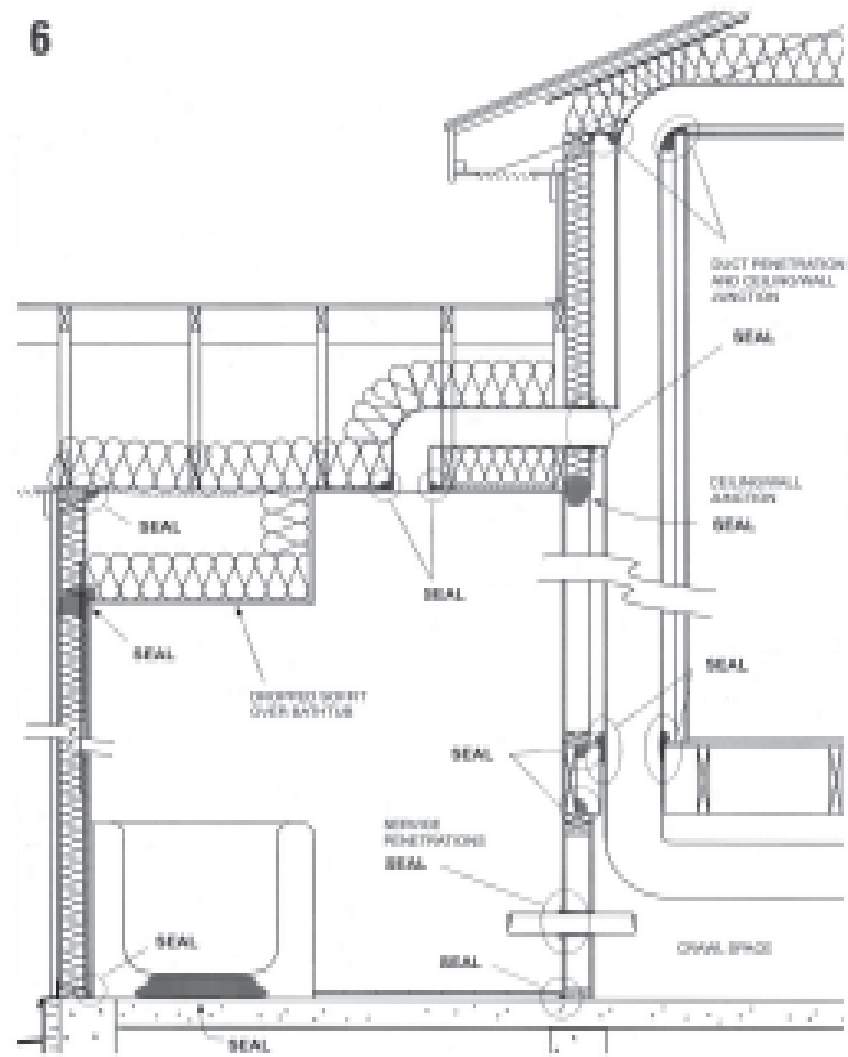


Illustration LR - 6

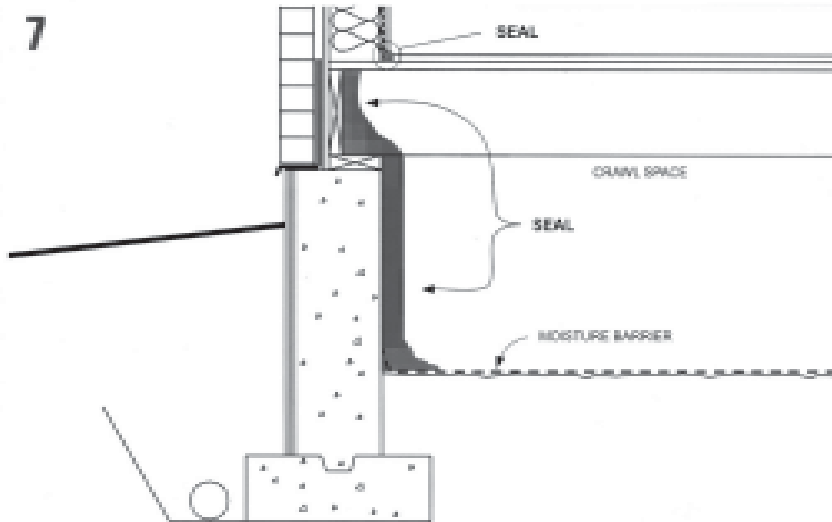


Illustration LR - 7

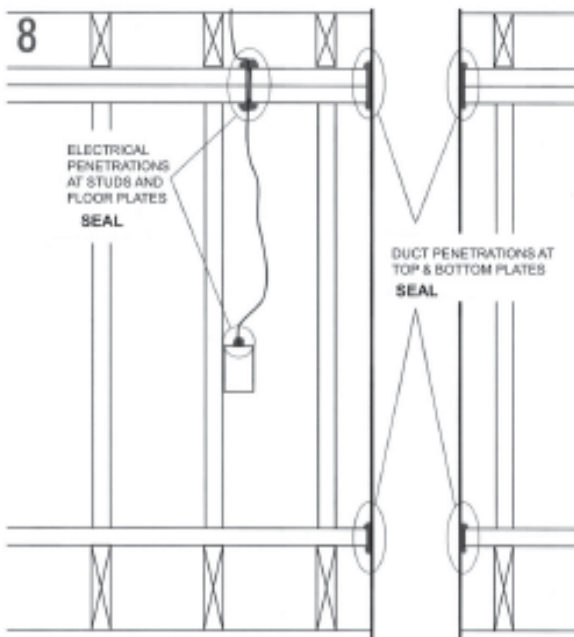


Illustration LR - 8